



# Vulcan 2 CS

ma\_vulcan2cs\_01\_010001\_en\_190103



MADE IN PORTUGAL - EU

## Conventional Sounder Beacon

### GLOBAL FIRE EQUIPMENT S.A.

Sítio dos Barrabés, Armazém Nave Y, Caixa Postal 908-Z, 8150-016 São Brás de Alportel - PORTUGAL

Tel: +351 289 896 560 • Sales: [sales@globalfire.pt](mailto:sales@globalfire.pt) • Technical Support: [techs@globalfire.pt](mailto:techs@globalfire.pt) • [www.globalfire.pt](http://www.globalfire.pt)

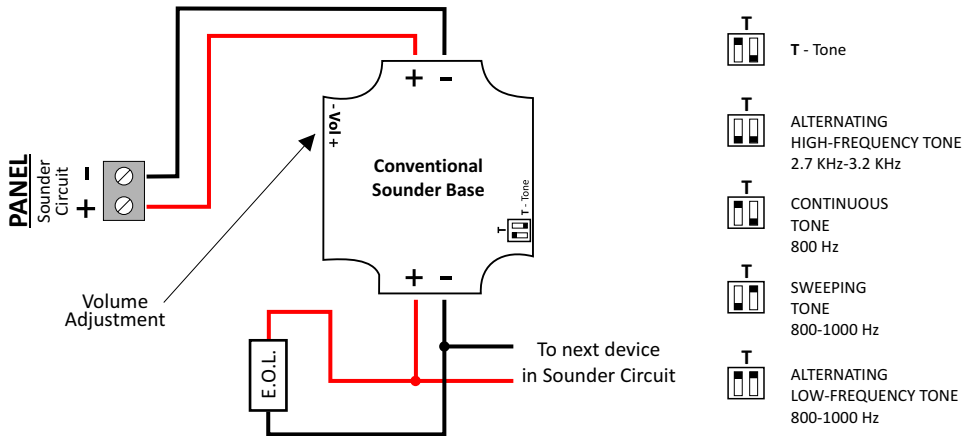
### TECHNICAL SPECIFICATIONS

SUPPLY VOLTAGE	20 V to 30 V DC		
SWEEPING TONE 800-1000 Hz	2.5 mA	<i>SOUNDER</i>	3.3 mA <i>SOUNDER/BEACON</i>
ALTERNATING HIGH FREQ. 2.7-3.2 KHz	5 mA	<i>SOUNDER</i>	6.0 mA <i>SOUNDER/BEACON</i>
CONTINUOUS TONE 800 Hz	2.5 mA	<i>SOUNDER</i>	3.3 mA <i>SOUNDER/BEACON</i>
ALTERNATING LOW-FREQ. 800-1000 Hz	2.5 mA	<i>SOUNDER</i>	3.3 mA <i>SOUNDER/BEACON</i>
LOOP CURRENT - BEACON	Beacon 2.5 mA		
MAX. SOUNDER OUTPUT / MAX. CABLE SIZE	96 dB (@ 1 meter - 30 V DC) / 0.5-2.5 mm <sup>2</sup>		
OPER. TEMPERATURE / MAX. HUMIDITY	-10°C to 55°C / 95% RH Non-Condensing		
COLOUR / CASE MATERIAL / PROTECTION	White or Red / ABS - Transparent PC / IP21C - Type A - Indoor use		
DIMENSIONS / WEIGHT	100 (D) x 29 (H) mm - with Lid 37.5 (H) mm / 149 g with Lid		

ORDER CODE	CERTIFICATE	DESCRIPTION
<b>VULCAN 2 CS</b>	1328-CPR-0289	CONVENTIONAL BASE SOUNDER
<b>VULCAN 2 CSB</b>	1328-CPR-0289	CONVENTIONAL BASE SOUNDER WITH BEACON
<b>VULCAN 2 CB</b>	-	CONVENTIONAL BEACON
<b>VULCAN 2 L</b>	-	LID FOR VULCAN 2
<b>VULCAN 2 LT</b>	-	TRANSPARENT LID FOR VULCAN 2

## CONNECTIONS

*Please note that this device is polarised.*



**NOTE:** Only last device in Sounder Circuit should have e.o.l. (end of line) fitted across + and - terminals.